



**Physician's Scale  
Eye-Level Beam Scale  
Owner's Manual**

**Báscula médica  
Báscula de brazo  
a la altura de los ojos  
Manual del propietario**





## INTRODUCTION

The Detecto Physician's Eye-Level Beam Scale is ideal for use in health clinics and medical practices for height and weight measurement. The scale is durable, having a sturdy enameled steel scale base, removable slip-resistant plastic platform cover, a retractable aluminum height rod, and rear wheels.

This manual is provided to guide you through the assembly and operation of your scale. Please read it thoroughly before attempting to assemble or operate your scale and keep it available for future reference.

This manual is for use with the following Physician's Scales:

337	437	448	2371
338	438	449	2381
339	439		2391
349			2491

## COPYRIGHT

All rights reserved. Reproduction or use, without expressed written permission, of editorial or pictorial content, in any manner, is prohibited. No patent liability is assumed with respect to the use of the information contained herein.

## DISCLAIMER

While every precaution has been taken in the preparation of this manual, the Seller assumes no responsibility for errors or omissions. Neither is any liability assumed for damages resulting from the use of the information contained herein. All instructions and diagrams have been checked for accuracy and ease of application; however, success and safety in working with tools depend to a great extent upon individual accuracy, skill, and caution. For this reason, the Seller is not able to guarantee the result of any procedure contained herein. Nor can they assume responsibility for any damage to property or injury to persons occasioned from the procedures. Persons engaging in the procedures do so entirely at their own risk.



# WARNING

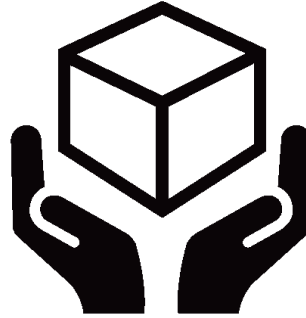


- **ATTENDANT MUST ASSIST PATIENT ON AND OFF THE SCALE PLATFORM.**
- **NEVER LEAVE A PATIENT UNATTENDED WHILE ON THE SCALE PLATFORM.**
- **FAILURE TO MAINTAIN CONTROL OF THE PATIENT AT ALL TIMES WHILE THEY ARE ON THE SCALE CAN RESULT IN SERIOUS INJURY TO THE PATIENT.**

## TRANSPORTATION AND STORAGE



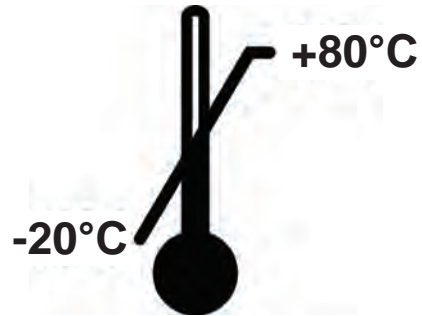
Do Not Drop



Handle with Care



Keep Dry



Temperature Range

## CARE AND CLEANING

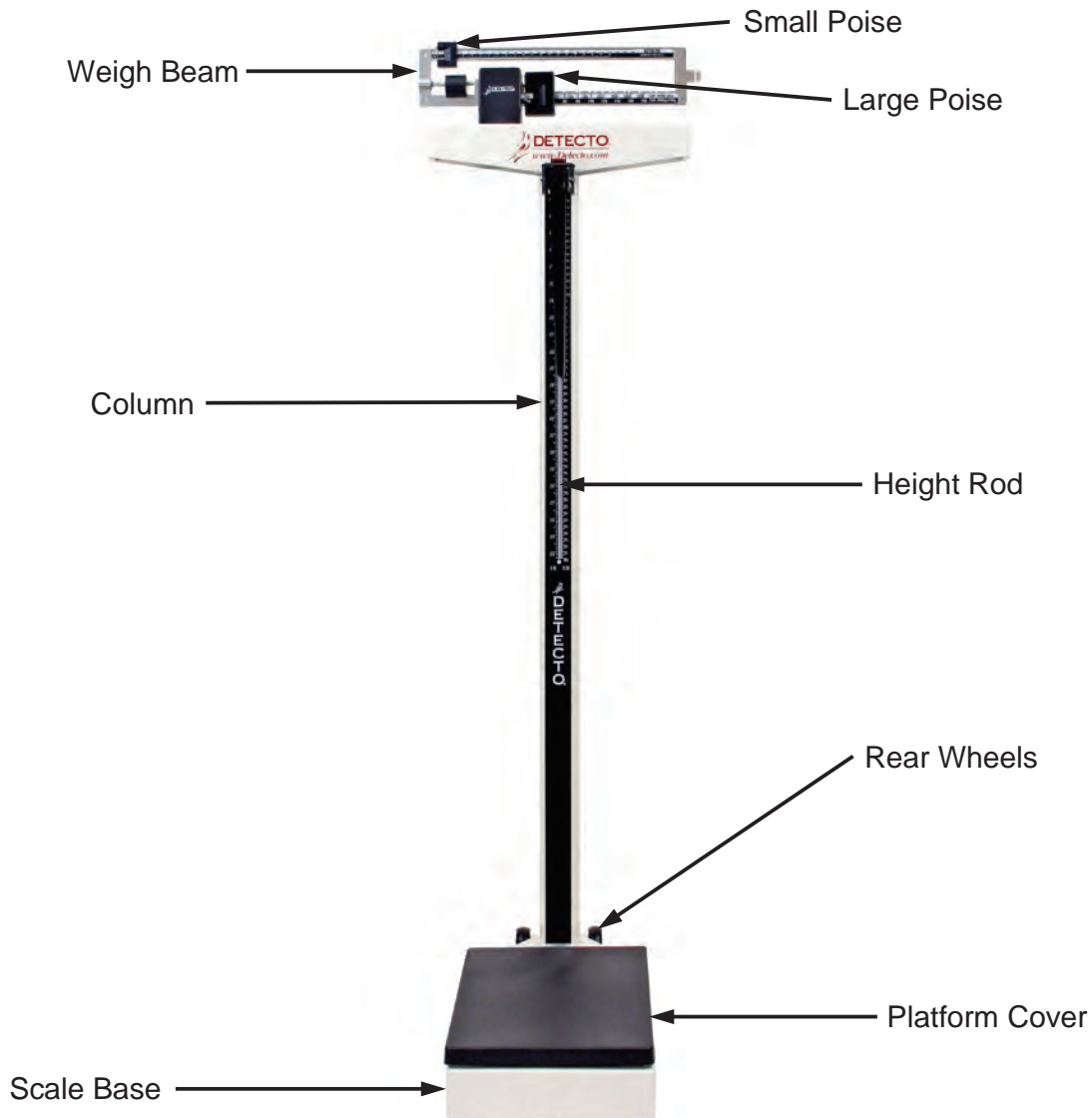


**NOTE:** The scale contains no user-serviceable parts and maintenance should be limited to occasional cleaning.

- Do not submerge the scale in water, pour, or spray water directly on it to clean it. The scale is not waterproof and covering it with water will damage it and void the warranty.
- Do not use wire brushes, abrasives, or cleaning tools such as steel pads and scrapers, which will scratch the painted surface. Instead, use soft cloths or plastic scouring pads for cleaning.
- When possible, use treated water. Hard water can leave behind deposits. Soft water is much gentler on the painted steel's surface.
- Avoid the use of acetone, thinner or other volatile solvents, and abrasive-type cleaners for cleaning. If required, a mild solvent such as mineral spirits can be used to remove oil, grease, tars, wax, and similar substances. Use a cloth dampened with mineral spirits and apply only to contaminated areas. Follow up the use of this mild solvent with detergent cleaning and rinsing.

## UNPACKING

Remove the scale base with platform cover, the column with weigh beam headpiece, height measuring rod, wheel assembly, and hardware kit from the shipping carton. After removing it from the carton, check for any damage that may have occurred during shipment. Note that the purchaser is responsible for filing all claims for any damages or loss incurred during transit. *Keep and use the original carton and packing material for return shipment if it should become necessary.*



## SPECIFICATIONS

<b>Models:</b>	<b>337, 338, 339, 349</b>	<b>437, 438, 439, 448, 449</b>	<b>2371, 2381, 2391, 2491</b>
<b>Capacity:</b>	440 lb x 4 oz or 200 kg x 100 g	450 lb x 4 oz	200 kg x 100 g
<b>Height Measurement Range:</b>	24-84" (60-212 cm)		
<b>Height Graduation:</b>	0.125" (0.1 cm)		
<b>Platform Size:</b>	14.75" x 10.75" (37.5 x 27.3 cm)		

## SCALE ASSEMBLY

The Detecto Physician's Eye-Level Beam Scale comes partially assembled. The following components require assembly:

- Column
- Draft Rod
- Height Rod
- Wheels

Tools required:

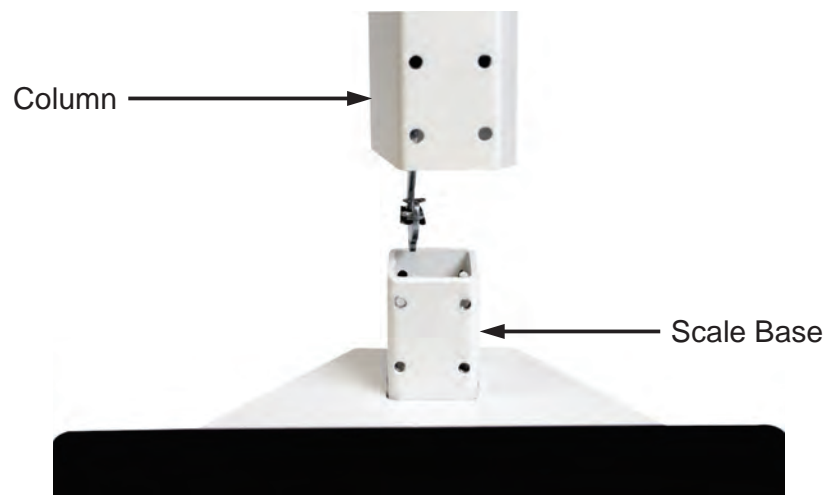
- Phillips head screwdriver
- Wrench (included)

1. Set the scale base on a table or other assembly area free from traffic and obstructions.
2. Remove the cable tie that secures the draft rod during transit (shown in Figure 1).



**Figure 1. - Remove cable tie securing draft rod in column**

3. Insert the column onto the scale base (shown in Figure 2), ensuring that the DETECTO logo on the weight beam faces the scale base.



**Figure 2. - Insert column onto scale base**

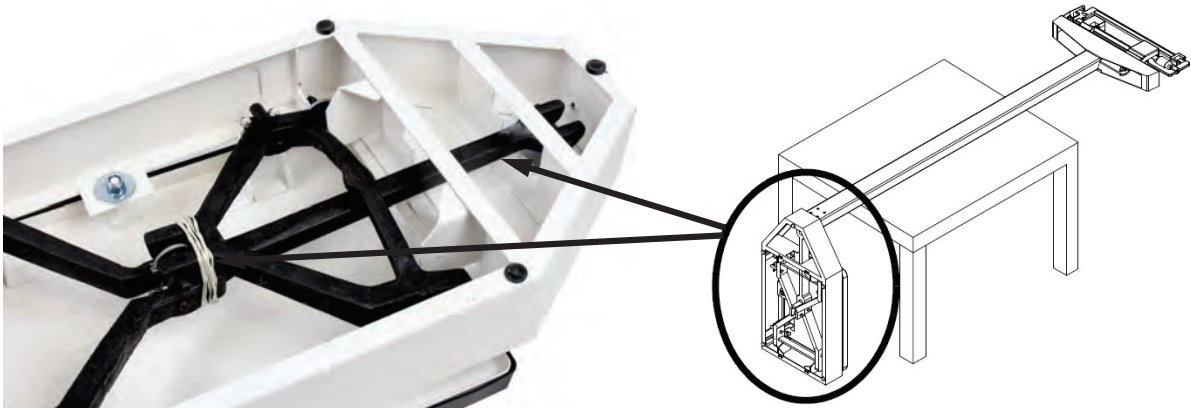
## SCALE ASSEMBLY, CONT.

- Using a Phillips screwdriver, install the eight screws and washers to secure the column to the scale base as shown in Figure 3.



**Figure 3. - Install eight screws and washers to secure the column to scale base**

- Lay the scale on a table. Remove and discard the shipping tie-wrap wires on the underside of the scale base as shown in Figure 4.



**Figure 4. - Lay scale on a table to access bottom of scale base**

## SCALE ASSEMBLY, CONT.

6. Insert the wrench (included) into the small hole in front of the draft rod and pull the draft rod hook with the wrench to connect it to the long lever as shown in Figure 5. The draft rod is located inside the scale column. Once the column is attached to the scale base, the draft rod must be attached to the long lever.

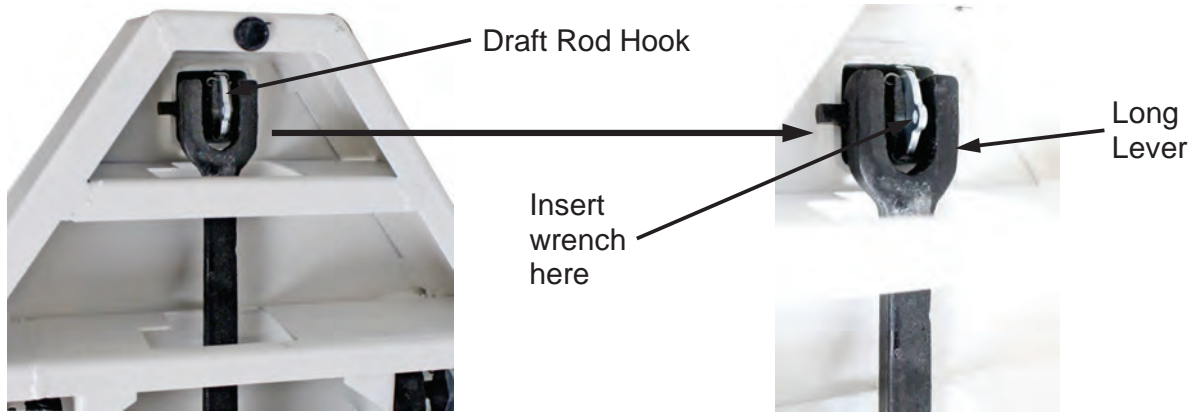


Figure 5. - Connect draft rod hook to long lever

7. Push the long lever forward and hook the draft rod's hook onto the long lever pivot.



**IMPORTANT!** During shipping, a plug is installed to ensure that the shelf lever assembly stays aligned. However, the linkage may still come out of alignment. Remove the plug and then visually ensure that the shelf lever assembly linkage is centered and properly aligned. The linkage must be free-floating for the scale to weigh properly. If the scale is slightly tipped to one side, the linkage can be seen by looking up underneath the weigh beam headpiece.



Figure 6. - View of linkage underneath weigh beam headpiece

8. Place the scale gently back on the floor.



## HEIGHT ROD INSTALLATION

1. Place the slotted holes of both brackets on the back of the height rod over the two screws on the front of the column as shown in Figure 7 and pull down.
2. Use the enclosed wrench to tighten the two hex-head screws. Be sure not to over-tighten.
3. To raise or lower the height rod, press the red button at the top of the height rod.

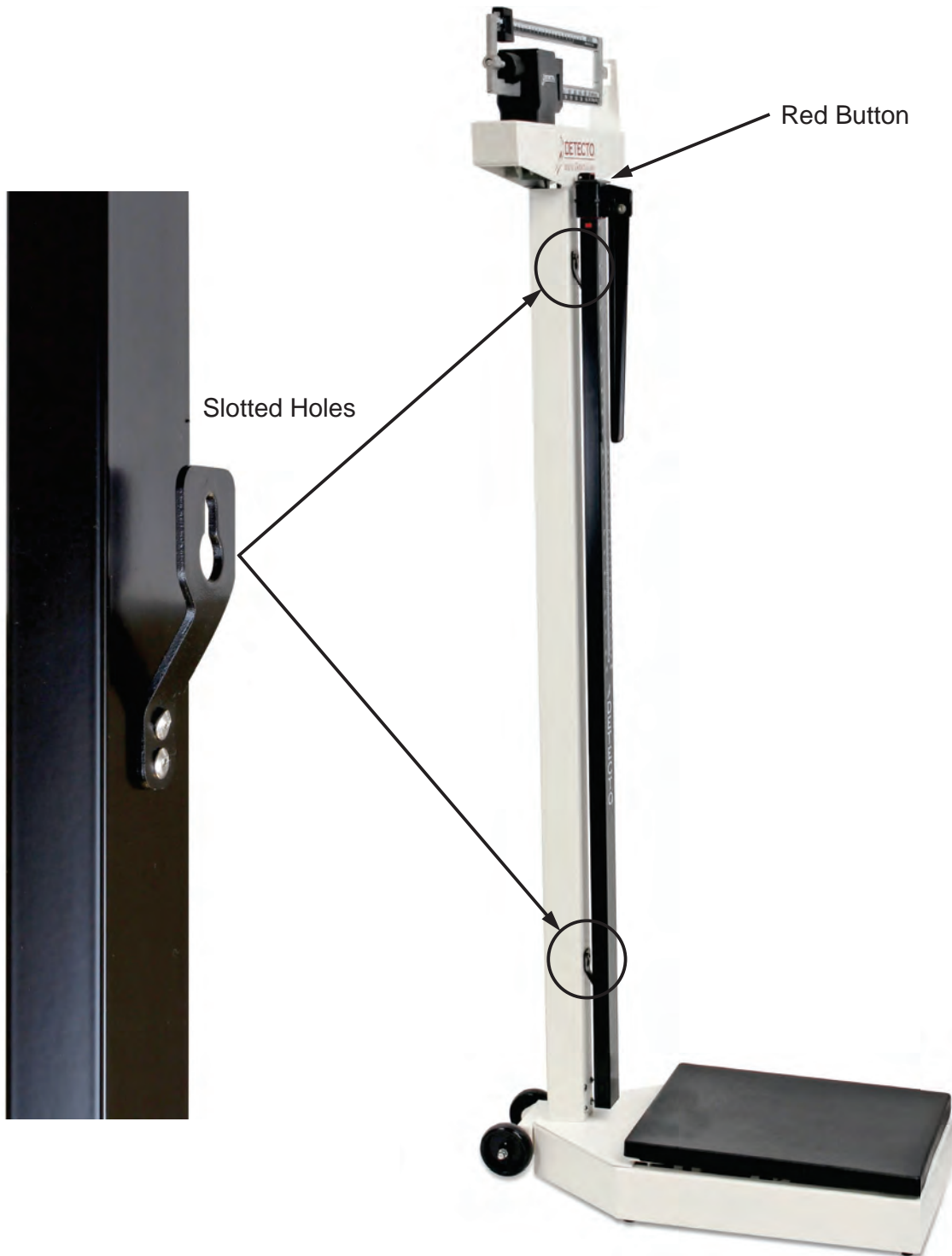


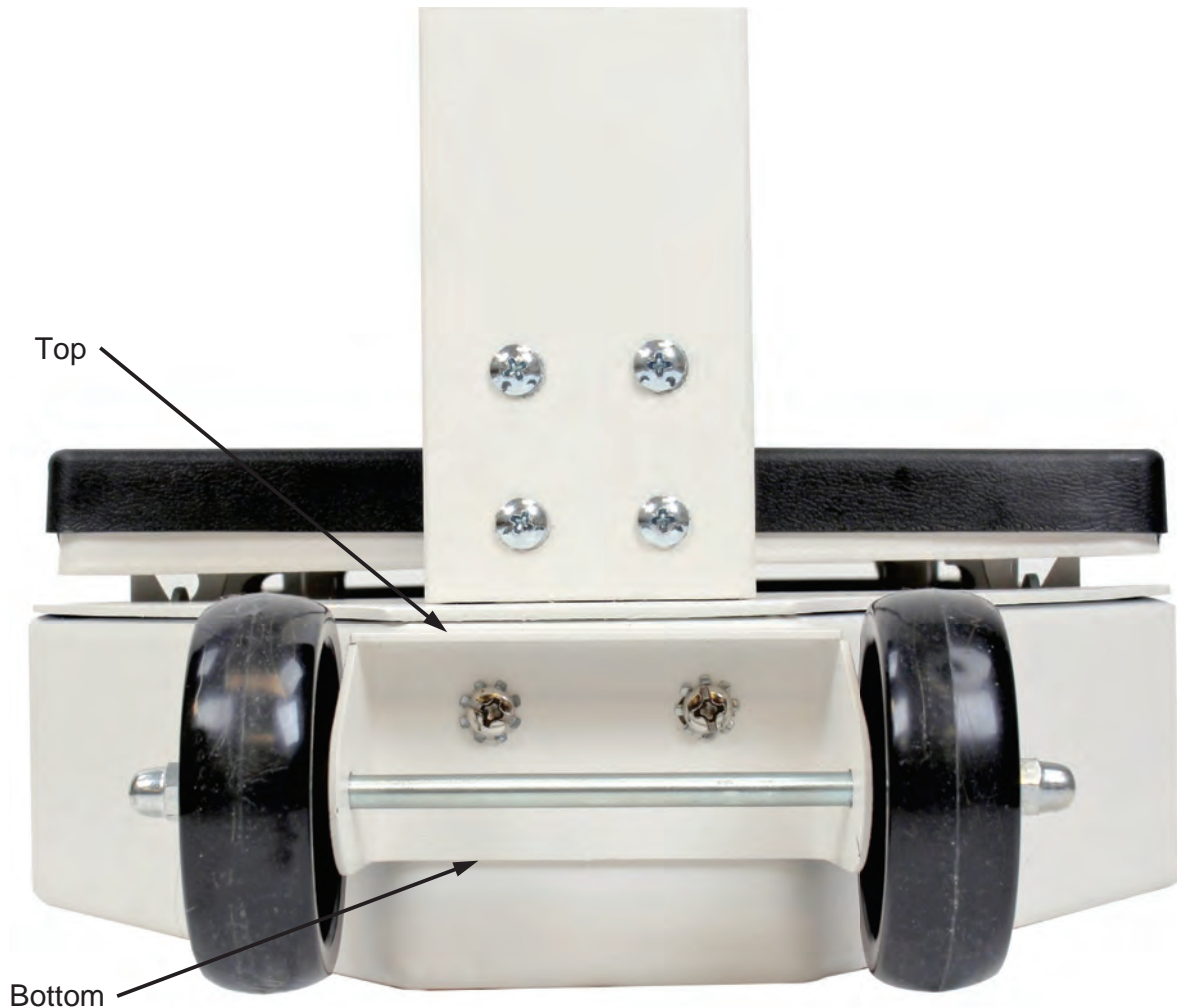
Figure 7. - Place slotted holes in height rod brackets over screws in column

## WHEEL ASSEMBLY INSTALLATION



**IMPORTANT!** Mounting the wheel assembly upside down on the scale base will cause weighing errors.

1. Align the mounting bracket of the wheel assembly to the scale base as shown in Figure 8.
2. Using the screws and washers that are included, attach the wheel assembly to the scale base. Adjust the wheel assembly to a level position, and then tighten the screws.
3. When moving the scale, hold the column and tip the scale backward to keep the front of the scale base away from the floor.



**Figure 8. - Attaching wheel assembly to scale base**

## BALANCING THE SCALE

After assembly, the scale must be balanced before using it.

1. Ensure the scale is sitting on a level surface, and slide both the small and large poise to zero (far-left position on the weigh beam).
2. Gently hold the beam pointer with your finger so it is centered within the trig loop area. Release the beam pointer and let it rise freely up or down.
3. If the beam pointer doesn't remain centered, turn the balance screw (shown in Figure 9) to the right or left using a flathead screwdriver until the beam pointer remains centered within the trig loop.

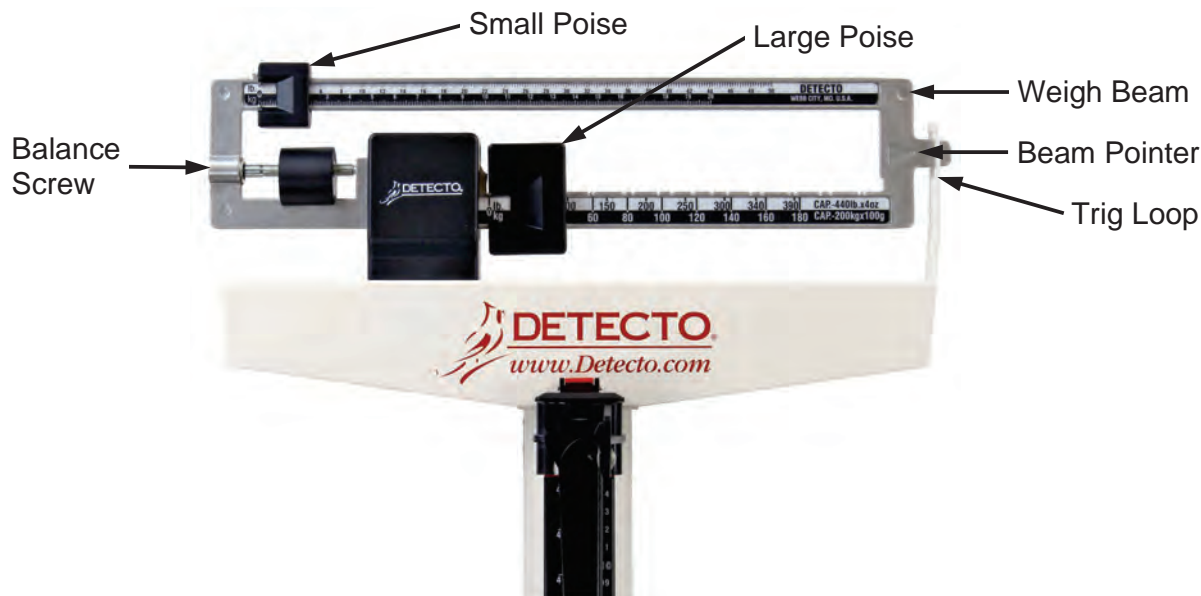


Figure 9. - Trig loop area and balance screw location

## OPERATION



**ALWAYS** assist the patient when stepping on and off the scale platform to ensure they do not fall. **NEVER** leave a patient unattended while they are on the scale platform. Failure to maintain control of the patient at all times can result in serious injury to the patient and/or you.

1. Place the scale on any hard, level, flat surface, or low-cut carpet.
2. Move both poises to the Zero position. Be sure the Beam Pointer is in the center of the opening in the Trig Loop. Refer to Figure 9.
3. Slide the Large Poise to the approximate patient weight. For example, if the patient weighs approximately 125 pounds, slide the Large Poise to 100 pounds.
4. Assist the patient onto the scale, and then slide the Small Poise to 20 pounds.
5. Continue sliding the Small Poise until the Beam Pointer is centered in Trig Loop opening.
6. Read the Small Poise at the pointer and add to the 100 pounds from the Large Poise. For example, if the pointer is at 23 pounds, the patient weighs 123 pounds.
7. Assist the patient off the scale.

## HAND POST INSTALLATION

For scale models that come with the hand post, please use the following instructions to install the hand post on the scale platform.

1. Remove the four hex head screws and washers from the scale base and set them aside.
2. Place the hand post on the scale platform, aligning the holes in the hand post with the holes in the scale platform, and then install and finger-tighten the four hex head screws and washers to attach the hand post to the scale platform.



**Figure 10. - Remove the four hex head screws from scale platform**



**Figure 11. - Place hand post on scale platform and install screws and washers**

3. Using the provided wrench, tighten all four hex head screws to secure the hand post to the scale platform.



**Figure 12. - Tighten all hex head screws to secure hand post to scale platform**



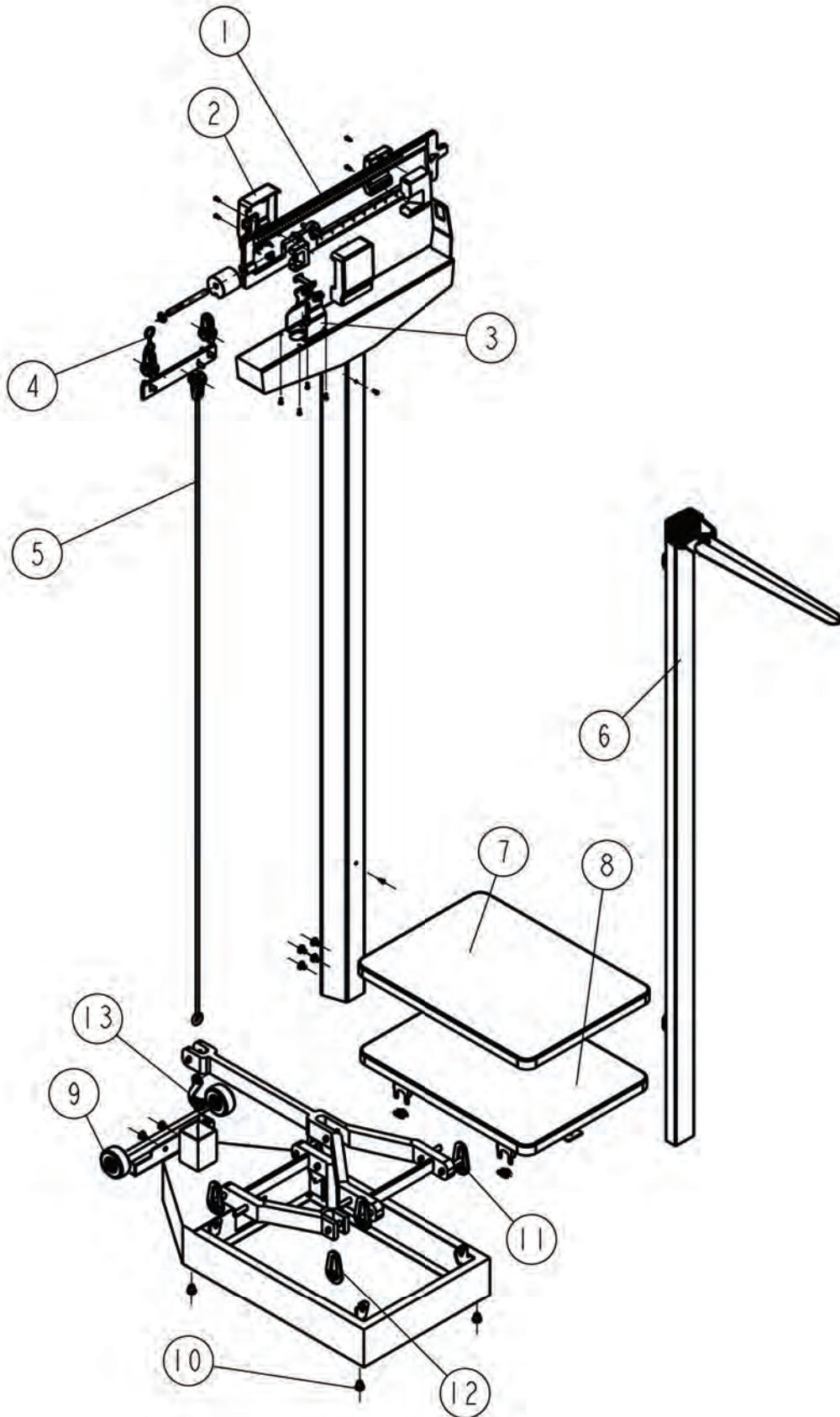
**Figure 13. - View of scale with hand post installed on scale platform**

## TROUBLESHOOTING

The Detecto Physician's Eye-Level Beam Scale is factory-calibrated to within plus or minus 1/4 pound (0.1 kg) accuracy. For the most accurate readings, always use the scale on a hard, level surface and stand in the center of the scale platform with the weight evenly distributed. If an error occurs or seems excessive, check the following:

Problem	Possible Solution
Zero balance out of adjustment	<ul style="list-style-type: none"> <li>The weighing beam must be balanced so the beam pointer comes to rest in the center of the trig loop when both the small and large poise are set at zero (far-left position). Refer to Figure 9 and the BALANCING THE SCALE instructions.</li> </ul>
Beam does not move freely	<ul style="list-style-type: none"> <li>Make sure the beam pointer is not touching the side of the trig loop, impeding its range of travel.</li> <li>Visually ensure that the linkage is centered and properly aligned. Occasionally during shipping, the alignment will become skewed. The linkage must be free-floating for the scale to weigh properly. If the scale is slightly tipped to one side, the linkage can be seen by looking up underneath the weigh beam headpiece.</li> </ul>
Platform rocks excessively	<ul style="list-style-type: none"> <li>Ensure the scale is sitting on a level surface. When you push down on any corner of the platform, you should not feel any significant rocking.</li> </ul>
Beam does not move at all during weighing	<ul style="list-style-type: none"> <li>Small and large poise is set higher than the person's actual weight. Reset both poise to a lower or zero weight.</li> <li>Make sure the draft rod is properly connected and aligned as shown in Figure 5.</li> </ul>
Scale is out of calibration	<ul style="list-style-type: none"> <li>Recalibrate the scale by placing a known weight on the scale and turning the balance screw until the pointer remains centered within the trig loop.</li> </ul>

# REPLACEMENT PART IDENTIFICATION



## REPLACEMENT PART IDENTIFICATION, CONT.

Item	Qty.	Part Number	Description
1	1	0033-0535-0A	BEAM ASSY, MODELS 337, 338, 339, 349 DUAL READING 440 LB X 4 OZ / 200 KG X 100 G
	1	0033-0536-0A	BEAM ASSY, MODELS 437, 438, 439, 448, 449 450 LB X 4 OZ
	1	0033-0537-0A	BEAM ASSY, MODELS 2371, 2381, 2391, 2491 200 KG X 100 G
2	1	0033-0538-08	BEAM YOKE COVER
3	1	0033-0539-0A	BEAM YOKE ASSY
4	1	0033-0540-08	SHELF LEVER HANGER
5	1	0033-0541-0A	DRAFT ROD AND SHELF LEVER LONG COLUMN
6	1	0033-0542-0A	HEIGHT ROD
7	1	0033-0543-08	PLATFORM COVER LONG COLUMN
8	1	0033-0574-0A	PLATFORM AND BEARING WITHOUT HOLES
9	1	0033-0545-0A	WHEEL KIT
10	1	0033-0546-08	BASE FEET
11	1	0033-0547-08	HANGER OUTER
12	1	0033-0548-08	HANGER CENTER
13	1	0033-0549-08	DRAFTROD HOOK

## STATEMENT OF LIMITED WARRANTY

Detecto Scale warrants its equipment to be free from defects in material and workmanship as follows: Detecto warrants to the original purchaser only that it will repair or replace any part of equipment which is defective in material or workmanship for a period of two **(2) years from date of shipment**. Detecto shall be the sole judge of what constitutes a defect.

During the **first ninety (90) days** Detecto may choose to replace the product at no charge to the buyer upon inspection of the returned item.

**After the first ninety (90) days**, upon inspection of the returned item, Detecto will repair or replace it with a remanufactured product. The customer is responsible for paying for the freight both ways.

This warranty does not apply to peripheral equipment not manufactured by Detecto; this equipment will be covered by certain manufacturer's warranty only.

This warranty does not include replacement of expendable or consumable parts. This does not apply to any item which has deteriorated or damaged due to wear, accident, misuse, abuse, improper line voltage, overloading, theft, lightning, fire, water or acts of God, or due to extended storage or exposure while in purchaser's possession. This warranty does not apply to maintenance service. Purchased parts will have a ninety (90) day repair or replacement warranty only.

Detecto may require the suspect product to be returned to the factory; item(s) must be properly packed and shipping charges prepaid. A return authorization number must be obtained for all returns and marked on the outside of all returned packages. Detecto accepts no responsibility for loss or damage in transit.



# STATEMENT OF LIMITED WARRANTY

## Conditions Which Void Limited Warranty

This warranty shall not apply to equipment which:

- A.) Has been tampered with, defaced, mishandled, or has had repairs and modifications not authorized by Detecto.
- B.) Has had serial number altered, defaced, or removed.
- C.) Has not been grounded according to Detecto's recommended procedure.

## Freight Carrier Damage

Claims for equipment damaged in transit must be referred to the freight carrier in accordance with freight carrier regulations.

This warranty sets forth the extent of our liability for breach of any warranty or deficiency in connection with the sale or use of the product. Detecto will not be liable for consequential damages of any nature, including but not limited to, loss of profit, delays, or expenses, whether based on tort or contract. Detecto reserves the right to incorporate improvements in material and design without notice and is not obligated to incorporate improvements in equipment previously manufactured.

The foregoing is in lieu of all other warranties, express or implied including any warranty that extends beyond the description of the product including any warranty of merchantability or fitness for a particular purpose. This warranty covers only those Detecto products installed in the forty-eight (48) contiguous continental United States.



Ph. (800) 641-2008  
E-mail: [detecto@cardet.com](mailto:detecto@cardet.com)  
203 E. Daugherty  
Webb City, MO 64870

08/27/2014  
Printed in USA  
D268-WARRANTY-DET-A



# INTRODUCCIÓN

La báscula médica de brazo a la altura de los ojos de Detecto es ideal para usar en clínicas de salud y prácticas médicas para medir la altura y el peso. La báscula es duradera, tiene una base de báscula sólida de acero esmaltado, una cubierta de plataforma de plástico antideslizante extraíble, una varilla retráctil de aluminio y ruedas traseras.

Este manual se proporciona para guiarlo a través del ensamblaje y para el funcionamiento de su báscula. Léalo detenidamente antes de intentar ensamblar o poner a funcionar su báscula y mantenerla disponible para referencia en un futuro.

Este manual es para usarlo con las siguientes básculas médicas:

337	437	448	2371
338	438	449	2381
339	439		2391
349			2491

## DERECHOS DE AUTOR

Todos los derechos reservados. Se prohíbe la reproducción o el uso, sin permiso expreso por escrito, de contenido editorial o pictórico, de cualquier manera. No se asume ninguna responsabilidad de patente con respecto al uso de la información aquí contenida.

## DESCARGO DE RESPONSABILIDAD

Mientras que todas las precauciones sean tomadas en la preparación de este manual, el vendedor no asume ninguna responsabilidad por errores u omisiones. Tampoco se asume ninguna responsabilidad por daños resultantes del uso de la información aquí contenida. Todas las instrucciones y diagramas han sido verificados por su precisión y facilidad de aplicación; sin embargo, el éxito y la seguridad en el trabajo con herramientas dependen en gran medida de la precisión, habilidad y precaución individuales. Por esta razón, el vendedor no puede garantizar el resultado de ningún procedimiento contenido en este documento. Tampoco pueden asumir responsabilidad por daños a la propiedad o lesiones a personas ocasionadas por los procedimientos. Las personas que participan en los procedimientos lo hacen bajo su propio riesgo.



# ADVERTENCIA

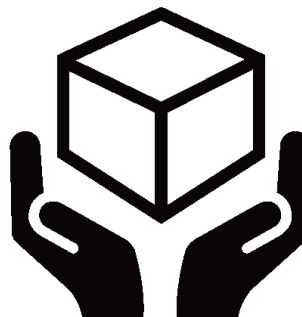


- **EL ENCARGADO DEBE AYUDAR AL PACIENTE DENTRO Y FUERA DE LA PLATAFORMA DE BÁSCULA.**
- **NUNCA DEJE A UN PACIENTE DESATENDIDO MIENTRAS SE ENCUENTRA EN LA PLATAFORMA DE BÁSCULA.**
- **NO MANTENER EL CONTROL DEL PACIENTE EN TODO MOMENTO MIENTRAS ESTÁN EN LA BÁSCULA PUEDE RESULTAR EN LESIONES GRAVES AL PACIENTE.**

## TRANSPORTE Y ALMACENAMIENTO



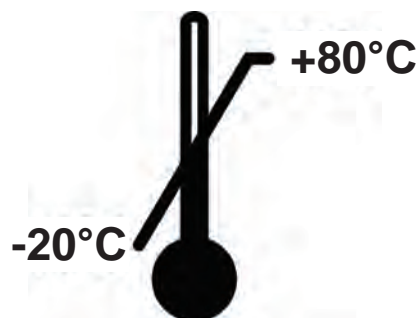
No dejar caer



Tratar con cuidado



Mantener en ambiente seco



Mantener a temperatura ambiente

## LIMPIEZA Y CUIDADO



**NOTA:** Esta balanza contiene partes no reparables. El mantenimiento debe ser limitado a una limpieza ocasional.

- No sumergir la balanza en agua. No echar o rociar con agua directamente a la balanza para limpiarla. Esta balanza no es a prueba de agua y cubrirla de agua podría causar daños e invalidar la garantía.
- No usar cepillos de alambre, abrasivos o herramientas para limpiar hechas de acero o raspadores, que arañarían la superficie pintada. En su lugar, usar paños suaves o estropajos de plástico para la limpieza.
- En lo posible, usar agua tratada. El agua dura puede dejar depósitos. El agua suave es mucho mas gentil con la superficie de acero pintada.
- Evite el uso de acetona, diluyente o cualquier otra solución volátil y limpiadores abrasivos para la limpieza. Si es requerido, utilizar un solvente suave como alcoholes minerales que pueden ser usados para remover aceite, grasa, alquitrán, cera o cualquier substancia similar. Usar un paño empapado de alcohol mineral y aplicar solamente en la parte contaminada. Seguidamente del uso de este solvente suave, utilizar detergente para limpieza y enjuague.

## DESEMPAQUE

Retire la base de la báscula con la cubierta de la plataforma, la columna con el cabezal de la viga de pesaje, la varilla de medición de altura, el ensamblaje de la rueda y el kit de hardware de la caja de envío. Después de sacarlo de la caja, verifique cualquier daño que pueda haber ocurrido durante el envío. Tenga en cuenta que el comprador es responsable de presentar todos los reclamos por cualquier daño o pérdida incurrida durante el tránsito. Guarde y use la caja original y el material de desempaquetado para el envío de devolución si fuera necesario.



## ESPECIFICACIONES

<b>Modelos:</b>	<b>337, 338, 339, 349</b>	<b>437, 438, 439, 448, 449</b>	<b>2371, 2381, 2391, 2491</b>
<b>Capacidad:</b>	200 kg x 100 g or 440 lb x 4 oz	450 lb x 4 oz	200 kg x 100 g
<b>Rango de medición de altura</b>	60-212 cm (24-84")		
<b>Graduación de altura</b>	0.1 cm (0.125")		
<b>Tamaño de plataforma</b>	37.5 x 27.3 cm (14.75" x 10.75")		

# ENSAMBLADO DE LA BÁSCULA

La báscula médica de brazo a la altura de los ojos viene parcialmente ensamblada. Los siguientes componentes requieren montaje:

- Columna
- Varilla de tiro
- Tallímetro
- Ruedas

Herramientas necesarias:

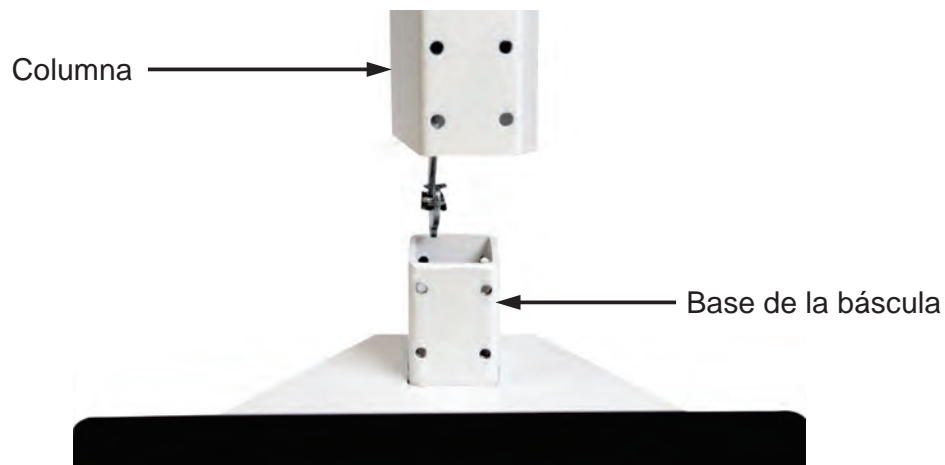
- *Destornillador Phillips*
- Llave inglesa (incluida)

1. Coloque la base de la báscula en una mesa u otra área libre de movimiento y obstrucciones.
2. Retire la atadura de cables que asegura la varilla de tiro durante el tránsito (como se muestra en la Figura 1.).



**Figura 1. - Retire la atadura de cable que sujeta la varilla de tiro en la columna**

3. Inserte la columna en la base de la báscula (que se muestra en la Figura 2), asegurándose de que el logotipo DETECTO en la viga de peso mire hacia la base de la báscula.



**Figura 2. - Inserte la columna en la base de la báscula**

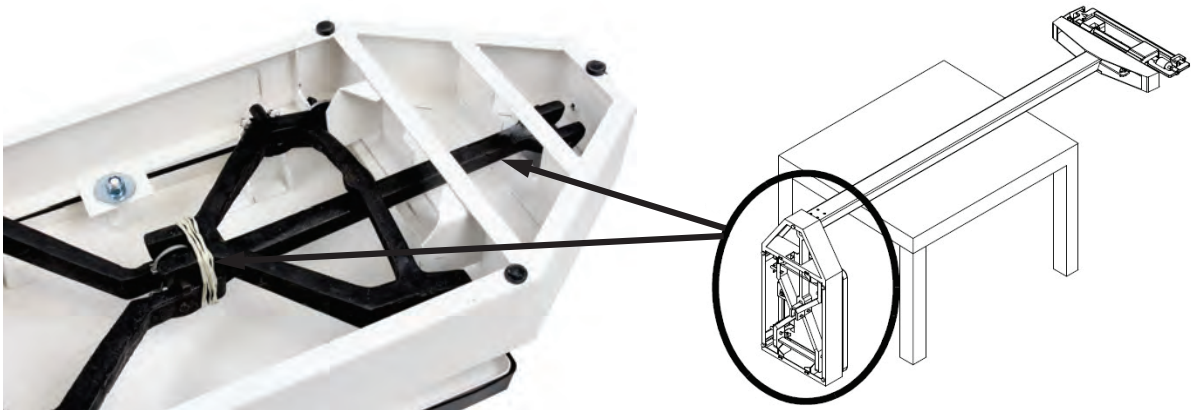
## MONTAJE DE LA BÁSCULA, CONT.

4. Usando el desatornillador Phillips, instale los ocho tornillos y arandelas para fijar la columna a la base de la báscula como muestra en la figura 3.



**Figura 3. - Instale los ocho tornillos y arandelas para asegurar la columna a la base de la báscula.**

5. Coloque la báscula sobre una mesa. Retire y deseche los cables de atadura de envío en la parte inferior de la base de la báscula como se muestra en la Figura 4.



**Figura 4. - Coloque la báscula en una mesa para acceder a la base de la báscula**

## MONTAJE DE LA BÁSCULA, CONT.

6. Inserte la llave inglesa (incluida) en el orificio pequeño frente a la varilla de tiro y tire del gancho de la varilla de tiro con la llave para conectarla a la palanca larga como se muestra en la Figura 5. La barra de tiro se encuentra dentro de la columna de la báscula. Una vez que la columna está unida a la base de la báscula, la barra de tiro debe estar unida a la palanca larga.



Figura 5. - Conecte el gancho de la varilla de tiro a la palanca larga.

7. Empuje la palanca larga hacia adelante y enganche el gancho de la varilla de tiro en el pivote de la palanca larga.



**¡IMPORTANTE!** Durante el envío, se instala un enchufe para garantizar que el conjunto de la palanca del estante permanezca alineado, sin embargo, el enlace aún puede quedar desalineado. Retire el tapón y luego visualmente asegúrese de que el enlace del conjunto de la palanca del estante esté centrado y alineado correctamente. El enlace debe estar flotando libremente para que la báscula pese correctamente. Si la báscula está ligeramente inclinada hacia un lado, se puede ver el enlace mirando hacia arriba debajo del casco de la viga de pesaje.

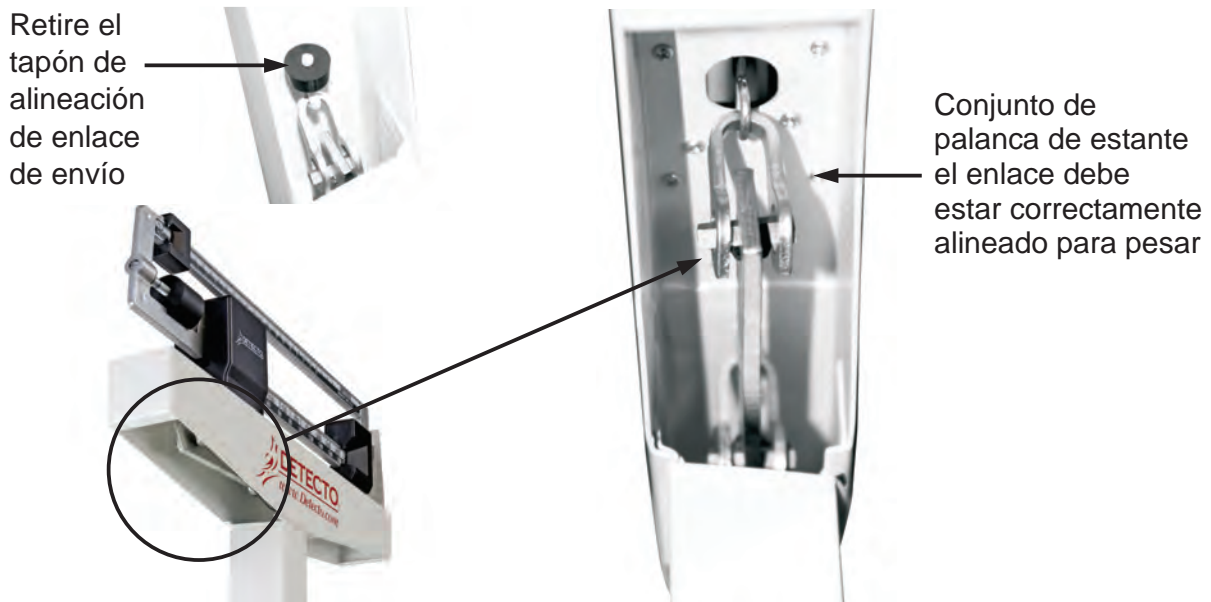


Figura 6. Vista de la vinculación debajo de la cubierta

8. Coloque la báscula dócilmente sobre el piso.



## INSTALACIÓN DEL TALLIMETRO

1. Coloque los orificios ranurados de ambos soportes en la parte posterior de la barra de altura sobre los dos tornillos en la parte frontal de la columna como se muestra en la Figura 7 y tire hacia abajo.
2. Use la llave incluida para apretar los dos tornillos de cabeza hexagonal. Asegúrese de no apretar demasiado.
3. Para subir o bajar la barra de altura, presione el botón rojo en la parte superior de la barra de altura.



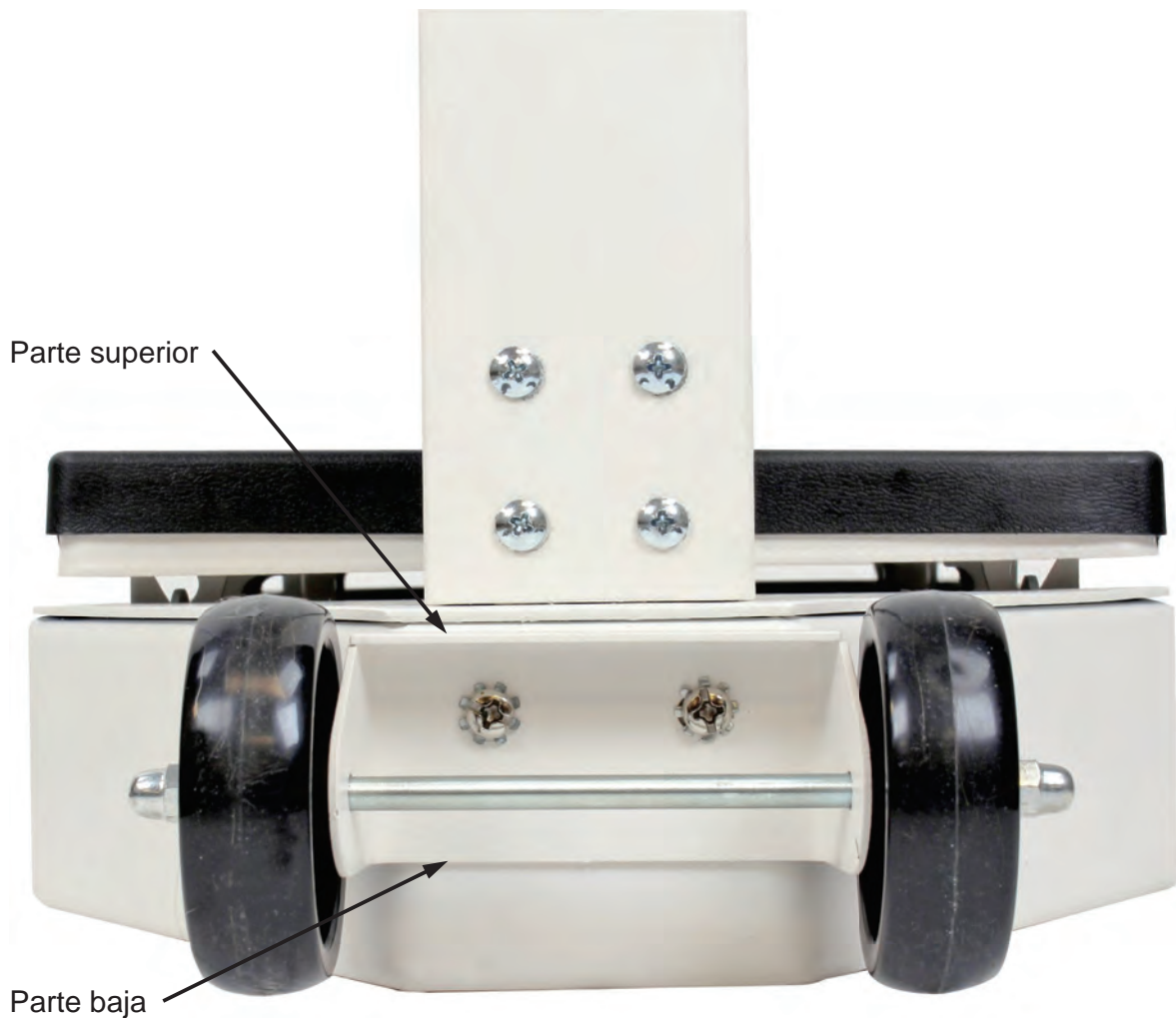
**Figura 7. - Coloque orificios ranurados en los soportes del tallímetro sobre los tornillos en la columna**

## INSTALACION DE LAS RUEDAS



**¡IMPORTANTE!** Colocar la rueda al revés sobre la base de la báscula provocará errores de pesaje.

1. Alinee el soporte de montaje del conjunto de la rueda con la base de la báscula como se muestra en la Figura 8.
2. Usando los tornillos y arandelas que se incluyen, fije el ensamblaje de la rueda a la base de la báscula. Ajuste el ensamblaje de la rueda a una posición nivelada y luego apriete los tornillos.
3. Al mover la báscula, sostenga la columna e incline la báscula hacia atrás para mantener el frente de la base de la báscula alejado del piso.



**Figura 8. - Una el ensamblaje de la rueda a la base de la báscula**

## EQUILIBRAR LA BÁSCULA

Después del ensamblaje, la báscula debe estar equilibrada antes de su uso.

1. Asegúrese de que la báscula esté sobre una superficie nivelada y deslice la pesa pequeña y grande a cero (posición del extremo izquierdo en la barra de pesaje).
2. Sostenga suavemente el puntero de viga con su dedo para que quede centrado dentro del área del bucle trigonométrico. Suelte el puntero de viga y déjelo subir o bajar libremente.
3. Si el puntero de la viga no permanece centrado, gire el tornillo de equilibrio (que se muestra en la Figura 9) hacia la derecha o la izquierda con un destornillador de punta plana hasta que el puntero de la viga permanezca centrado dentro del bucle trigonométrico.



Figura 9. El área de bucle de activación y la ubicación del tornillo de calibración

## FUNCIONAMIENTO



**SIEMPRE** ayude al paciente al subir y bajar de la plataforma de la báscula para asegurarse de que no se caiga. **NUNCA** deje a un paciente desatendido mientras esté en la plataforma de la báscula. No mantener el control del paciente en todo momento puede resultar en lesiones graves para el paciente y / o para usted.

1. Coloque la báscula sobre cualquier superficie dura, nivelada, plana o alfombra de corte bajo.
2. Mueva ambos contrapesos a la posición cero. Asegúrese de que el puntero de haz esté en el centro de la abertura en el bucle de disparo. Consulte la Figura 9.
3. Deslice el contrapeso grande hasta el peso aproximado del paciente. Por ejemplo, si el paciente pesa aproximadamente 125 libras, deslice el contrapeso grande a 100 libras.
4. Ayude al paciente a subir a la báscula y luego deslice el contrapeso pequeño a 20 libras.
5. Continúe deslizando el contrapeso pequeño hasta que el buce de disparo esté centrado en la abertura del Trig Loop.
6. Lea el contrapeso pequeño en el puntero y agregue a las 100 libras del contrapeso grande. Por ejemplo, si el puntero pesa 23 libras, el paciente pesa 123 libras.
7. Ayude al paciente a bajar de la báscula.

## INSTALACIÓN DE APOYAMANOS

Para los modelos de báscula que vienen con el apoyamanos, utilice las siguientes instrucciones para instalar el apoyamanos en la plataforma de la báscula.

1. Retire los cuatro tornillos y arandelas de cabeza hexagonal de la base de la báscula y déjelos a un lado.
2. Coloque el apoyamanos en la plataforma de la báscula, alineando los agujeros en el apoyamanos con los agujeros en la plataforma de la báscula, y luego instale y apriete con los dedos los cuatro tornillos y arandelas de cabeza hexagonal para fijar el apoyamanos a la plataforma de la báscula.



**Figura 10. - Retire los cuatro tornillos de cabeza hexagonal de la plataforma de la báscula**



**Figura 11. - Coloque el apoyamanos en la plataforma de la báscula e instale tornillos y arandelas**

3. Usando la llave provista, apriete los cuatro tornillos de cabeza hexagonal para asegurar el apoyamanos a la plataforma de la báscula.



**Figura 12. - Apriete todos los tornillos de cabeza hexagonal para asegurar el apoyamanos a la plataforma de la báscula.**



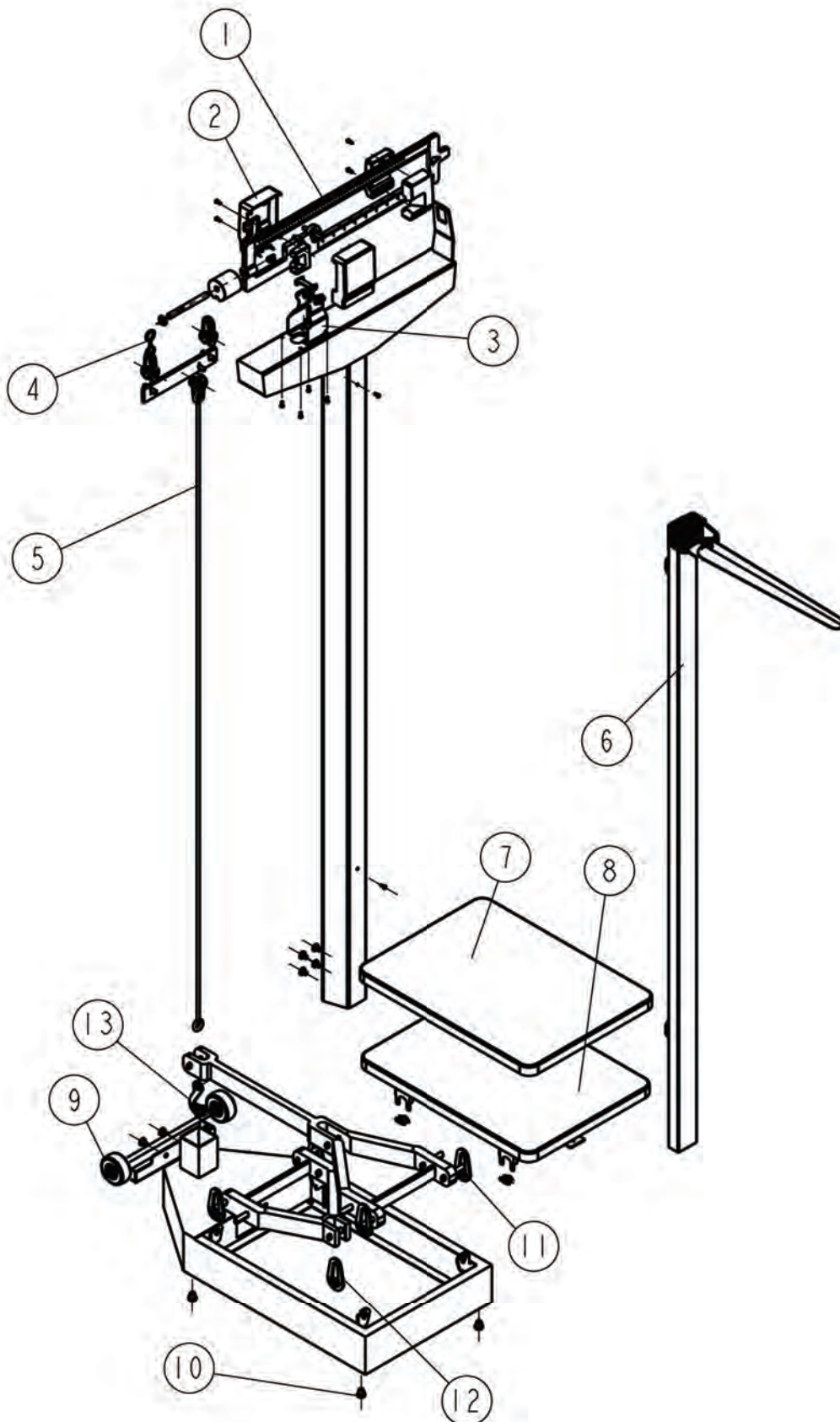
**Figura 13. - Vista de la báscula con apoyamanos instalado en la plataforma de la báscula**

## SOLUCIÓN DE PROBLEMAS

La báscula médica de brazo a la altura de los ojos de Detecto está calibrada de fábrica con una precisión de más o menos 0.1 kg (1/4 libras). Para obtener las lecturas más precisas, use siempre la báscula sobre una superficie dura y nivelada y párese en el centro de la plataforma de la báscula con el peso distribuido uniformemente. Si ocurre un error o parece excesivo, verifique lo siguiente:

Problema	Posibles soluciones.
Equilibrio cero fuera de ajuste	<ul style="list-style-type: none"> <li>• La viga de pesaje debe estar equilibrada para que el puntero de viga se detenga en el centro del bucle trigonométrico cuando tanto la pesa pequeña como la grande se ajustan a cero (posición del extremo izquierdo). Consulte la Figura 9 y las instrucciones para EQUILIBRAR LA BASCULA.</li> </ul>
La viga de peso no se mueve libremente	<ul style="list-style-type: none"> <li>• Asegúrese de que el puntero de viga no toque el lado del bucle trigonométrico, lo que impide su alcance de desplazamiento.</li> <li>• Asegúrese visualmente de que el enlace esté centrado y correctamente alineado. Ocasionalmente durante el envío, la alineación se sesgará. El enlace debe estar flotando libremente para que la báscula pese correctamente. Si la báscula está ligeramente inclinada hacia un lado, se puede ver el enlace mirando hacia arriba debajo del casco de la viga de pesaje.</li> </ul>
La plataforma se balancea en exeso	<ul style="list-style-type: none"> <li>• Asegurese de que la báscula este en una superficie nivelada. Cuando empuje hacia abajo en cualquier esquina de la plataforma, no debe sentir ningún balanceo significativo.</li> </ul>
La viga de peso no se mueve en lo absoluto durante el pesaje	<ul style="list-style-type: none"> <li>• El equilibrio pequeño y grande se ajusta más alto que el peso real de la persona. Restablezca los dos equilibrios a un peso inferior o cero.</li> <li>• Asegúrese de que la varilla de tiro esté correctamente conectada y alineada como se muestra en la Figura 5.</li> </ul>
La báscula no esta calibrada	<ul style="list-style-type: none"> <li>• Vuelva a calibrar la báscula colocando un peso conocido en la báscula y girando el tornillo de equilibrio hasta que el puntero permanezca centrado dentro del bucle trigonométrico.</li> </ul>

# IDENTIFICACIÓN DE PIEZAS DE REPUESTO



## IDENTIFICACIÓN DE LA PIEZA DE REPUESTO, CONT.

Artículo	Cant.	Número de pieza	Descripción
1	1	0033-0535-0A	CONJUNTO DE VIGAS, MODELOS 337, 338, 339, 349 - LECTURA DUAL 440 LB X 4 OZ / 200 KG X 100 G
	1	0033-0536-0A	CONJUNTO DE VIGAS, MODELOS 437, 438, 439, 448, 449 - 450 LB X 4 OZ
	1	0033-0537-0A	CONJUNTO DE VIGAS, MODELOS 2371, 2381, 2391, 2491 - 200 KG X 100 G
2	1	0033-0538-08	COVERTOR DE VIGA DEL YUGO
3	1	0033-0539-0A	COMPONENTE DE VIGA DEL YUGO
4	1	0033-0540-08	GANCHO DE PALANCA
5	1	0033-0541-0A	PROYECTOR DE BARRA Y PALANCA
6	1	0033-0542-0A	TALLIMETRO
7	1	0033-0543-08	COVERTOR DE PLATAFORMA
8	1	0033-0574-0A	PLATAFORMA Y SOPORTE SIN AGUJEROS
9	1	0033-0545-0A	EQUIPO DE LLANTAS
10	1	0033-0546-08	PATA BASE
11	1	0033-0547-08	GANCH EXTERNO
12	1	0033-0548-08	GANCHO COLGANTE
13	1	0033-0549-08	GANCHO DE TIRO

## DECLARACIÓN DE GARANTÍA LIMITADA

Detecto Scale garantiza que su equipo está libre de defectos de material y mano de obra de acuerdo con lo siguiente: Detecto garantiza al comprador original, solamente, que reparará o reemplazará cualquier parte del equipo que esté defectuosa, en cuanto a material o mano de obra se refiere, por un periodo de **dos (2) años a partir de la fecha de envío**. Detecto será el único juez que dicte que es lo que constituye un defecto.

Durante los **primeros noventa (90) días** Detecto puede elegir reemplazar el producto sin ningún cargo para el comprador ante la inspección del ítem devuelto.

**Después de los primeros noventa (90) días**, ante la inspección del ítem devuelto, Detecto lo reparará o reemplazará con un producto refabricado. El cliente será responsable de pagar el transporte de ida y vuelta.

Esta garantía no aplica a equipo periférico no fabricado por Detecto; este equipo será cubierto por cierta garantía de fabricante únicamente.

Esta garantía no incluye reemplazo de partes desechables o consumibles. Lo anterior no aplica a ningún ítem que se haya deteriorado o dañado debido al uso diario, accidente, mal uso, abuso, línea de voltaje inadecuada, sobrecarga, robo, relámpago, fuego, agua o caso fortuito, o debido a almacenaje o exposición prolongadas en posesión del comprador. Esta garantía no aplica a servicio de mantenimiento. Las partes compradas contarán con una garantía de reparación o reemplazo de noventa (90) días únicamente.

Detecto podrá solicitar que el producto sean devuelto a la fábrica; los ítems deberán estar empacados adecuadamente y los cargos de envío deben estar prepagados. Se deberá obtener un número de autorización de devolución para todas las devoluciones y deberá aparecer en la parte externa de todos los paquetes. Detecto no acepta responsabilidad alguna por pérdida o daño durante el traslado.



# DECLARACIÓN DE GARANTÍA LIMITADA

## Condiciones que Invalidan la Garantía Limitada

Esta garantía no aplicará al equipo que:

- A.) Haya sido manipulado, desfigurado, manejado incorrectamente o haya sido reparado o modificado sin autorización por parte de Detecto.
- B.) Se haya alterado, desfigurado o retirado el número de serie.
- C.) No haya sido aterrizado de acuerdo con el proceso recomendado por Detecto.

## Daño de Transporte

Los reclamos por equipo dañado durante traslado deberán ser dirigidos al transportista, de acuerdo con las regulaciones del transportista.

Esta garantía establece el alcance de nuestra responsabilidad para incumplimiento de cualquier garantía o deficiencia en relación con la venta o uso del producto. Detecto no será responsable por daños consecuentes de naturaleza alguna, incluyendo, entre otros, lucro cesante, retrasos o gastos, ya sean basados en responsabilidad extra-contractual o contractual. Detecto se reserva el derecho a incorporar mejoras en materiales y diseño sin aviso previo y no está obligado a incorporar dichas mejoras a equipo fabricado previamente.

Lo anterior sustituye cualquier otra garantía, expresa o implícita, incluyendo cualquier garantía que vaya más allá de la descripción del producto, incluyendo cualquier garantía de comerciabilidad o adecuación para un propósito particular. Esta garantía cubre únicamente aquellos productos Detecto instalados en los cuarenta y ocho (48) estados contiguos de los Estados Unidos de América.



Tel. (800) 641-2008  
E-mail: [detecto@cardet.com](mailto:detecto@cardet.com)  
203 E. Daugherty  
Webb City, MO 64870

08/27/2014  
Impreso en EUA  
D268-WARRANTY-







Cardinal Scale Manufacturing Co.  
102 E. Daugherty, Webb City, MO 64870 USA  
Ph: 417-673-4631 or 1-800-641-2008  
Fax: 417-673-2153

Technical Support: 1-866-254-8261  
E-mail: [tech@cardet.com](mailto:tech@cardet.com)